

**NOTES**

1. EXTENT OF WORKS

THE ELECTRICAL SERVICES SUB-CONTRACT INCLUDES BUT IS NOT LIMITED TO THE FOLLOWING:

- SUPPLY AND INSTALLATION OF ALL COMPONENTS FORMING PART OF THE ELECTRICAL SERVICES.
- CO-ORDINATION.
- INSPECTIONS.
- TESTING AND COMMISSIONING.
- MAINTENANCE.
- CABLE ACCESS.
- MSB UPGRADE.
- RENAME EXISTING DB-CA TO DB-CB.
- NEW DB-CA DISTRIBUTION BOARD.
- NEW DB-CA SUBMAIN.
- NEW MSSB SUBMAIN.
- CONNECTION OF THE EXISTING SUBMAIN FROM THE MSB TO THE NEW DB-CA.
- LIGHTING MODIFICATIONS.
- INTRUDER DETECTION MODIFICATIONS.
- ALL MINOR COMPONENTS AND INCIDENTAL WORKS NOT SPECIFICALLY REFERRED TO, HOWEVER NECESSARY TO COMPLETE THE ELECTRICAL SERVICES INSTALLATION SUCH THAT IT IS HANDED OVER COMPLETE, OPERATIONAL AND FIT FOR THE INTENDED USE.

SUPPLY ALL LABOUR, MATERIALS, EQUIPMENT, AND ALL OTHER ITEMS, WHETHER MENTIONED IN DETAIL OR NOT, REQUIRED FOR THE SATISFACTORY COMPLETION OF THE ELECTRICAL SERVICES INSTALLATION, LEAVING IN FULL WORKING ORDER TO THE SATISFACTION OF THE PROJECT MANAGER.

ACCEPT FULL RESPONSIBILITY FOR LIASING, ARRANGING AND CO-ORDINATION OF ALL WORKS THAT HAVE AN EFFECT ON OR WILL BE AFFECTED BY THE ELECTRICAL SERVICES.

REMOVE ALL OF THE EXISTING ELECTRICAL SERVICES THAT BECOME REDUNDANT DUE TO THE WORKS.

2. WORKMANSHIP

ENSURE THAT THE WORK IS PERFORMED BY THE HOLDER OF A CURRENT ELECTRICAL SUB CONTRACTOR LICENSE. ENSURE THE INSTALLATION AND ALL COMPONENTS, FIXTURES, FITTINGS, OUTLETS AND CABLES ARE SUPPLIED AND INSTALLED TO A HIGH STANDARD THROUGHOUT, AND INSTALLED IN A NEAT AND TRADESMAN LIKE MANNER, TO THE CURRENT INDUSTRY STANDARDS. ENSURE ALL MATERIALS AND COMPONENTS OF A SIMILAR TYPE ARE OF THE SAME MANUFACTURER AND INSTALLED IN A UNIFORM MANNER.

IT IS THE ELECTRICAL SUB CONTRACTOR'S RESPONSIBILITY TO ENSURE THAT THE INSTALLATION IS FIT FOR PURPOSE AND IS PROVIDED AS A COMPLETE WORKING INSTALLATION. IT IS THE ELECTRICAL SUB CONTRACTOR'S RESPONSIBILITY TO PROVIDE ALL COMPONENTS, FITTINGS, FIXTURES, SYSTEMS, PROGRAMMING ETC IRRESPECTIVE OF THE LEVEL DETAILED IN THE DOCUMENTS SUCH THAT THE INSTALLATION IS PROVIDED AS A COMPLETE WORKING INSTALLATION.

CONCEAL ALL WIRING AND CONDUITS. EXPOSED CABLING OR CONDUITS ARE GENERALLY NOT ACCEPTABLE. IT IS NOTED THAT CHASING AND REINSTATEMENT WILL BE REQUIRED. ENSURE ALL COMPONENTS, EQUIPMENT AND MATERIALS SUPPLIED ARE NEW, UNUSED, DESIGNED AND SELECTED TO ENSURE SATISFACTORY OPERATION UNDER VARYING ATMOSPHERIC, CLIMATIC, HUMID TROPICAL CONDITIONS WITHOUT DISTORTION AND DETERIORATION IN ANY PART AFFECTING EFFICIENCY AND RELIABILITY OF THE SYSTEMS. DESIGN AND SELECT ALL EQUIPMENT TO PROVIDE THE NECESSARY SAFETY TO HUMAN LIFE AND PROPERTY DURING OPERATION AND MAINTENANCE WITH PARTICULAR ATTENTION GIVEN TO ELECTRICAL SAFETY AND SEGREGATION PRECAUTIONS.

CHECK THE FINISHED PAINTWORK AROUND THE AREA OF EACH INSTALLATION AND TOUCH UP ALL DAMAGED PARTS AND FINISHES AFTER THE INSTALLATION OF THE ELECTRICAL SERVICES.

ALL WORKS ARE TO BE CARRIED OUT IN ACCORDANCE WITH THE BUILDER'S PROGRAM. ENSURE ALL FINAL LOCATIONS OF OUTLETS AND FITTINGS ARE CO-ORDINATED ONSITE WITH THE ARCHITECT AND ALL OTHER SERVICES, TO THE APPROVAL OF THE PROJECT MANAGER. ALLOW TO CO-ORDINATE THE FINAL LOCATION OF ALL EQUIPMENT, FITTINGS, & OUTLETS, SUCH THAT THEY ARE INSTALLED IN ACCORDANCE WITH THE AS3000 RESTRICTED ZONES, AND ARE NOT COVERED INAPPROPRIATELY.

ENSURE THAT ALL METAL SURFACES ARE SUITABLY PROTECTED AGAINST CORROSION, AND THAT ALL PLASTIC MATERIALS ARE UV STABILISED.

PROVIDE ALL MATERIALS AS NEW, AND OF THE HIGHEST CLASS AVAILABLE FOR THEIR RESPECTIVE TYPES. ENSURE ALL ASPECTS OF THE WORK ARE OF A HIGH STANDARD THROUGHOUT, AND INSTALLED IN A NEAT AND TRADESMAN LIKE MANNER, TO THE CURRENT INDUSTRY STANDARDS.

ACCURATELY LOCATE THE EXISTING UNDERGROUND CONDUITS THAT RUN THROUGH THE PROPOSED WORKS AREAS PRIOR TO COMMENCING ANY BUILDING WORKS. THE EXISTING CONDUITS ARE TO BE PROTECTED DURING CONSTRUCTION SUCH THAT THE EXISTING SERVICES REMAIN OPERATIONAL AT ALL TIMES.

3. STANDARDS

IRRESPECTIVE OF INFORMATION CONTAINED IN THE ELECTRICAL SERVICES DOCUMENTS OR IN INSTRUCTIONS, IT IS THE ELECTRICAL SUB CONTRACTOR'S RESPONSIBILITY TO ENSURE ALL ELECTRICAL SERVICES WORKS ARE INSTALLED IN ACCORDANCE WITH THE REQUIREMENTS OF THE FOLLOWING. REFER ANY DISCREPANCIES BETWEEN THE REQUIREMENTS OF THE FOLLOWING AND/OR THE ELECTRICAL SERVICES DOCUMENTS AND INSTRUCTIONS TO THE ARCHITECT FOR CLARIFICATION PRIOR TO THE PLACING OF ORDERS, FABRICATION OR INSTALLATION OF THE ITEMS/METHODS IN DISCREPANCY.

- NCC BUILDING CODE OF AUSTRALIA.
- ELECTRICAL ACT.
- ELECTRICAL SAFETY ACT.
- AS/NZS3000.
- AS3008.
- WORKPLACE HEALTH AND SAFETY ACT.
- TELECOMMUNICATIONS ACT.
- ACMA REQUIREMENTS.

REMOVE REDUNDANT EQUIPMENT AND WIRING, INCLUDING THAT IN ACCESSIBLE CEILING SPACES, AND MAKE GOOD EXPOSED SURFACES BEFORE COMMENCING THE INSTALLATION OF NEW WIRING. REMOVE ANY UNTERMINATED CABLES.

4. AUTHORITIES

ENSURE ALL OF THE ELECTRICAL SERVICES COMPLY WITH THE REQUIREMENTS OF ALL REGULATORY AUTHORITIES HAVING JURISDICTION OVER THE SITE INCLUDING BUT NOT LIMITED TO THE FOLLOWING:

- ACMA.
- LOCAL COUNCIL.
- LOCAL SUPPLY AUTHORITY.
- STATE GOVERNMENT DEPARTMENT OF ENVIRONMENT AND HERITAGE.
- QLD GOVERNMENT, DIVISION OF WORKPLACE, HEALTH AND SAFETY.
- QLD FIRE AND RESCUE AUTHORITY.

**NOTES**

5. TRENCHING AND PITS

NO LONGER REQUIRED.

6. MSB UPGRADE

REPLACE THE EXISTING DB-CA MCCB IN THE EXISTING MSB WITH A NEW MCCB TYPE TO MATCH THE EXISTING IN BRAND AND STYLE. CONFIRM THE TRIP UNIT SETTING ON SITE AND PROVIDE PHOTOGRAPHIC EVIDENCE OF THE SETTINGS FOR APPROVAL.

REPLACE THE THREE EXISTING PRIVATE MULTIFUNCTION METERS IN THE MSB. COMMISSION AND TEST THE ACCURACY OF THE METERS AND PROVIDE PHOTOGRAPHIC EVIDENCE OF THE ACCURACY FOR APPROVAL. THE EXISTING CTS AND METER CABLING CAN BE REUSED IF IT IS APPROPRIATE. ENSURE THE NEW METERS RECORD THE FOLLOWING

- VOLTAGE OF EACH PHASE TO EARTH.
- VOLTAGE OF EACH PHASE TO PHASE.
- FREQUENCY OF EACH PHASE.
- POWER FACTOR ON EACH PHASE.
- INSTANTANEOUS CURRENT ON EACH PHASE.
- MAXIMUM DEMAND CURRENT ON EACH PHASE.
- TOTAL HARMONIC DISTORTION.

SUBMIT DETAILS OF THE PROPOSED MULTIFUNCTION METERS FOR APPROVAL.

ENSURE THAT POWER IS MAINTAINED TO ALL PARTS OF THE SITE BETWEEN 6.00AM AND 11.00PM. ANY INTERRUPTIONS TO THE POWER SUPPLY MUST BE LIMITED TO LESS THAN FOUR HOURS BETWEEN 11.00PM AND 6.00AM AND THE SCHOOL MUST BE PROVIDED WITH TWO WEEKS NOTICE PRIOR TO THE INTERRUPTION.

7. DB-CA UPGRADE

RENAME THE EXISTING DISTRIBUTION BOARD DB-CA TO DB-CB.

PROVIDE A NEW DISTRIBUTION BOARD DB-CA TO THE LEFT OF THE DB-CB AND CONNECT THE EXISTING SUBMAIN FROM THE MSB TO THE NEW DB-CA. PROVIDE NEW SUBMAINS TO DB-CB AND THE NEW MSSB LOCATED EXTERNALLY. CABLES TO BE RUN AT HIGH LEVEL TO THE BACK OF THE PROSCENIUM OPENING AND IN THE NEW BULKHEADS WITH AC PIPEWORK RETICULATION.

PROVIDE A NEW MCCB IN THE EXISTING MSB TYPE TO MATCH THE EXISTING IN BRAND AND STYLE. PROVIDE A SHOP DRAWING OF THE NEW DB-CA FOR APPROVAL.

INSTALL AND TERMINATE THE SUBMAIN IN ACCORDANCE WITH THE MANUFACTURERS RECOMMENDATIONS WITHOUT ANY JOINS.

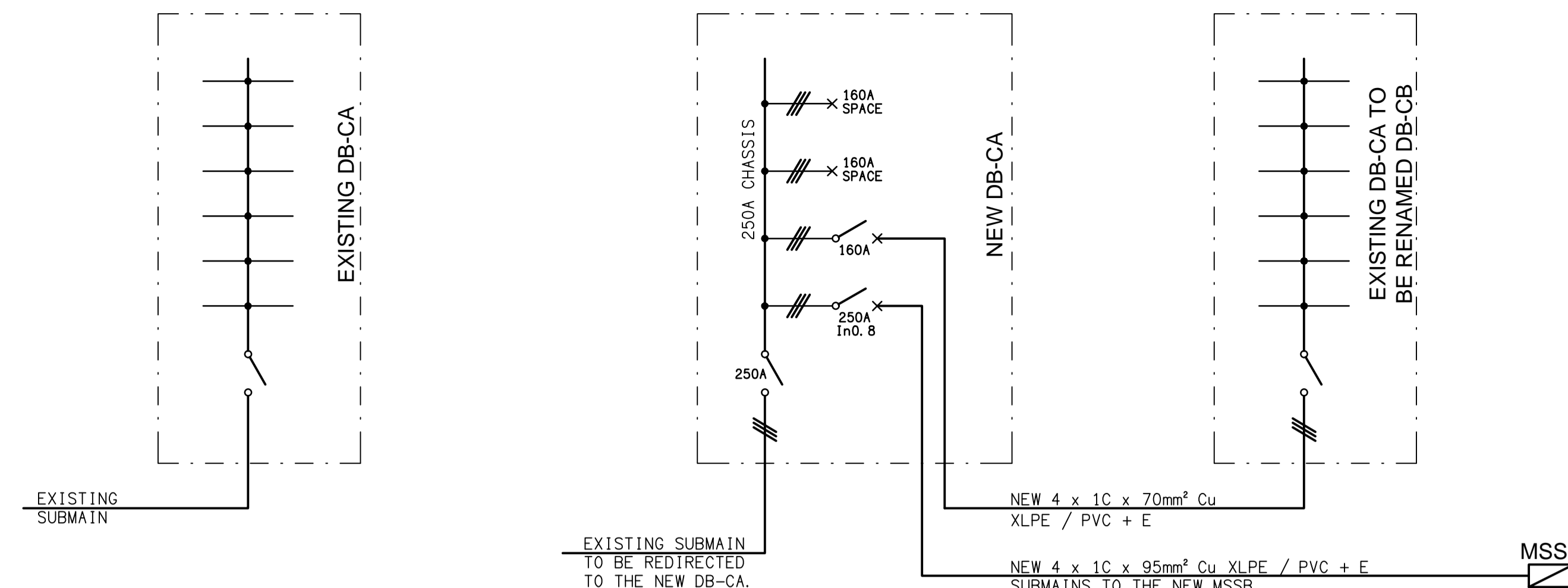
HANDLE CABLES SO AS TO AVOID DAMAGE TO INSULATION OR SHEATHING. REPLACE ALL WIRING WITH INSULATION DAMAGE AFTER DETERMINING AND REMOVING THE CAUSE OF DAMAGE.

8. LIGHTING MODIFICATIONS

RELOCATE THE EXISTING LIGHTING NOTED TO THE NEW POSITIONS / CEILING UTILISING THE EXISTING CIRCUITING, SWITCHING AND DALI CONTROL. ALL OTHER LIGHTS, CONTROLS AND ELECTRICAL SERVICES THAT ARE EXISTING ARE TO REMAIN AS IS. TEST THE OPERATION OF ALL LIGHTING AND EMERGENCY LIGHTS WITHIN THE HALL PRIOR TO PRACTICAL COMPLETION.

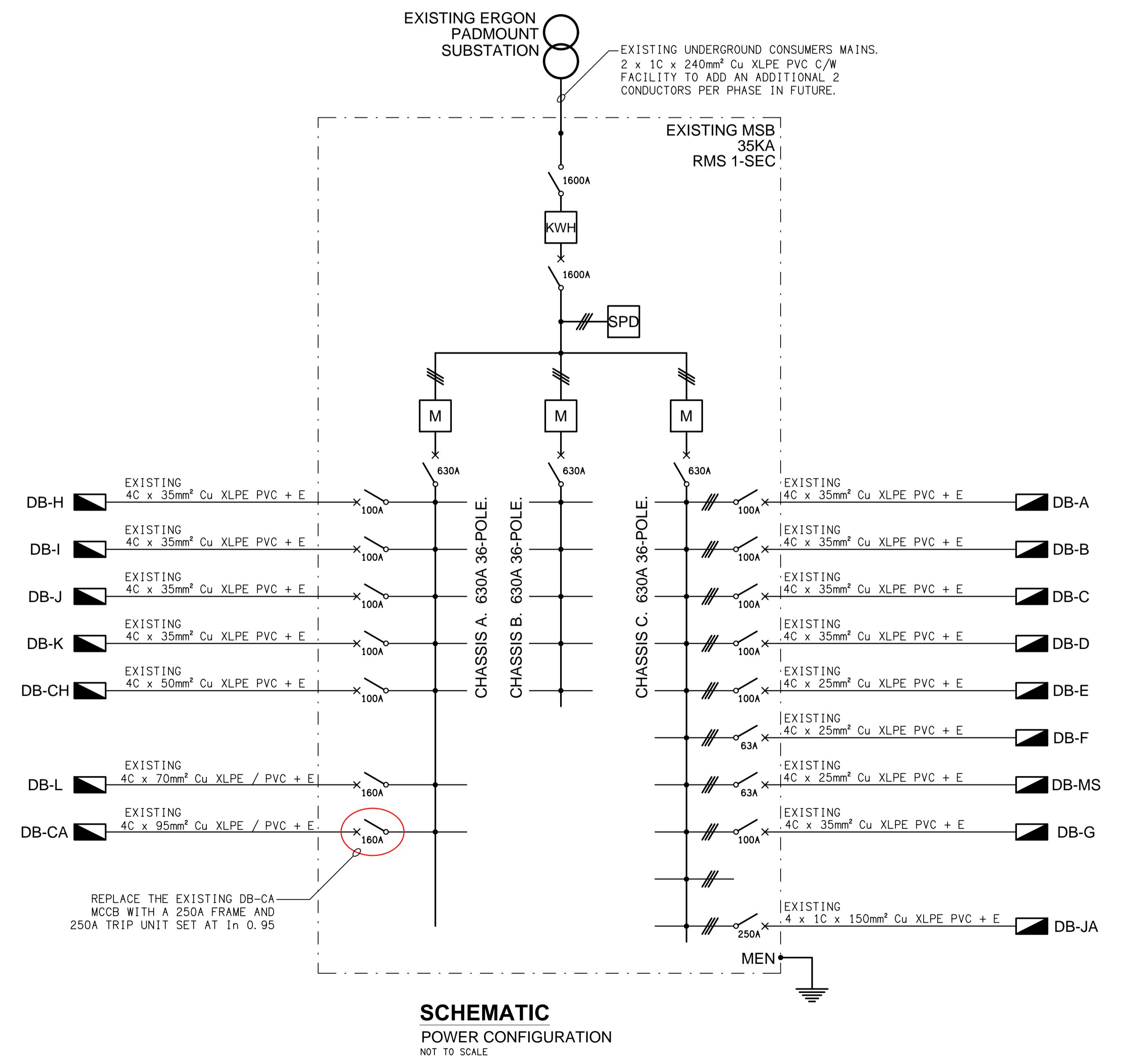
9. INTRUDER DETECTION MODIFICATIONS

RELOCATE THE EXISTING INTRUDER DETECTION COMPONENTS NOTED TO THE NEW POSITIONS / CEILING UTILISING THE EXISTING CABLING. ALL OTHER SECURITY SERVICES THAT ARE EXISTING ARE TO REMAIN AS IS.



**EXISTING DB-CA**  
POWER SCHEMATIC  
NOT TO SCALE

**PROPOSED DB-CA**  
POWER SCHEMATIC  
NOT TO SCALE



**SCHEMATIC**  
POWER CONFIGURATION  
NOT TO SCALE

REV	DATE	DESCRIPTION
E	11/03/2020	TENDER

**ELECTRICAL DESIGN GROUP**  
ELECTRICAL BUILDING SERVICES CONSULTANTS  
BRISBANE GOLD COAST  
P.O. Box 15, Sherwood Q. 4075  
Phone: (07) 3278 4375  
Email: brisbane@edg.net.au  
Web: www.edg.net.au

CLIENT  
**THE ROMAN CATHOLIC TRUST CORPORATION FOR THE DIOCESE OF TOWNSVILLE**

PROJECT  
**ST CLARE'S CATHOLIC SCHOOL MULTI-PURPOSE HALL AC BURDELL DRIVE, THURINGOWA**

DRAWING TITLE  
**ELECTRICAL SERVICES NOTES & POWER SCHEMATIC**

**G+D GROUP (QLD)**  
Level 3 Toowong Terraces  
31 Sherwood Road Toowong Q 4066  
T (07) 3870 3722  
F (07) 3870 3822  
E admin@gdgroupqld.com.au

DATE  
SCALE N.T.S. A1  
DRAWN AT  
CHECKED  
**C2189a**  
EDG PROJECT No.  
**E02 E**  
EDG DWG No. REV