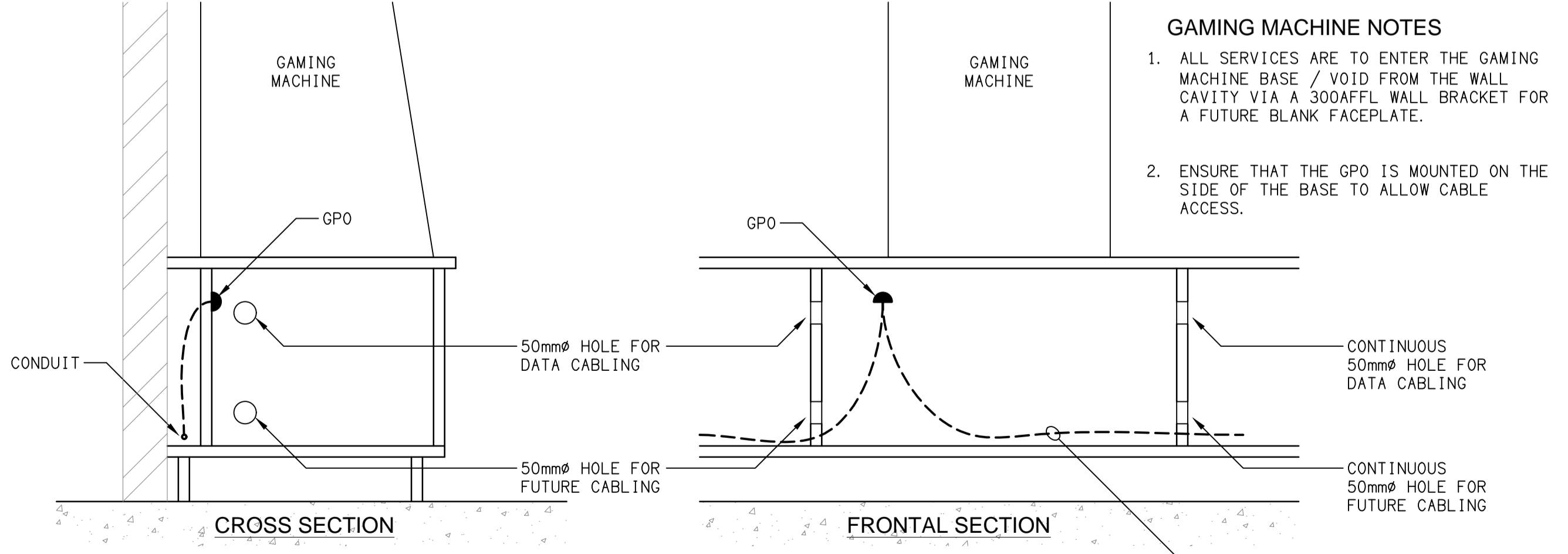


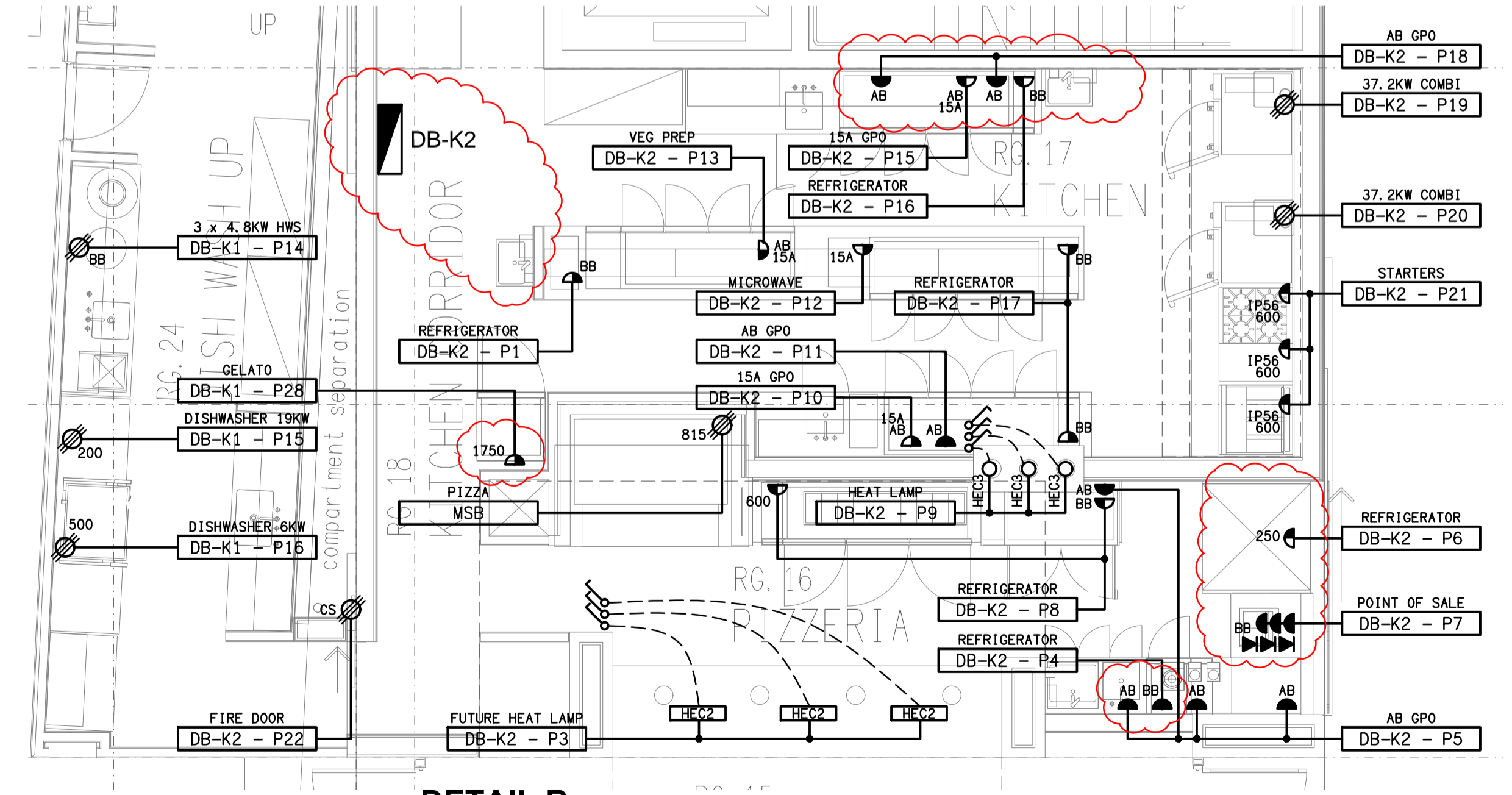
DETAIL C
DINING BAR LAYOUT
SCALE 1:50

DETAIL A
GAMING & PUBLIC BAR LAYOUT
SCALE 1:50



- GAMING MACHINE NOTES**
1. ALL SERVICES ARE TO ENTER THE GAMING MACHINE BASE / VOID FROM THE WALL CAVITY VIA A 300AFFL WALL BRACKET FOR A FUTURE BLANK FACEPLATE.
 2. ENSURE THAT THE GPO IS MOUNTED ON THE SIDE OF THE BASE TO ALLOW CABLE ACCESS.

DETAIL D
GAMING MACHINE BASE
NOT TO SCALE



DETAIL B
KITCHEN & PIZZERIA LAYOUT
SCALE 1:50

ELECTRICAL DESIGN GROUP BRISBANE
PTY LTD
ACN 092 710 793
TRADING AS:
ELECTRICAL DESIGN GROUP

THE COPYRIGHT OF THIS DRAWING
REMAINS THE PROPERTY OF THE
ELECTRICAL DESIGN GROUP.
USE FIGURED DIMENSIONS
IN PREFERENCE TO SCALE.
ALL DIMENSIONS TO BE
VERIFIED ONSITE.

ELECTRICAL DESIGN GROUP
ELECTRICAL BUILDING SERVICES CONSULTANTS
BRISBANE GOLD COAST
P.O. Box 15, Sherwood Q. 4075
Phone: (07) 3278 4375
Email: brisbane@edg.net.au
Web: www.edg.net.au

PROJECT:
THE BELVEDERE HOTEL
26 OXLEY AVENUE, WOODY POINT, QUEENSLAND.

D	CONSTRUCTION	05/09/2022
REV.	DESCRIPTION:	DATE:
DRAWING: ELECTRICAL SERVICES GROUND LEVEL DETAILS		
SCALE: 1:50	PROJECT NO: C2559a	DRAWING NO: E04
AT A1	REVISION: D	