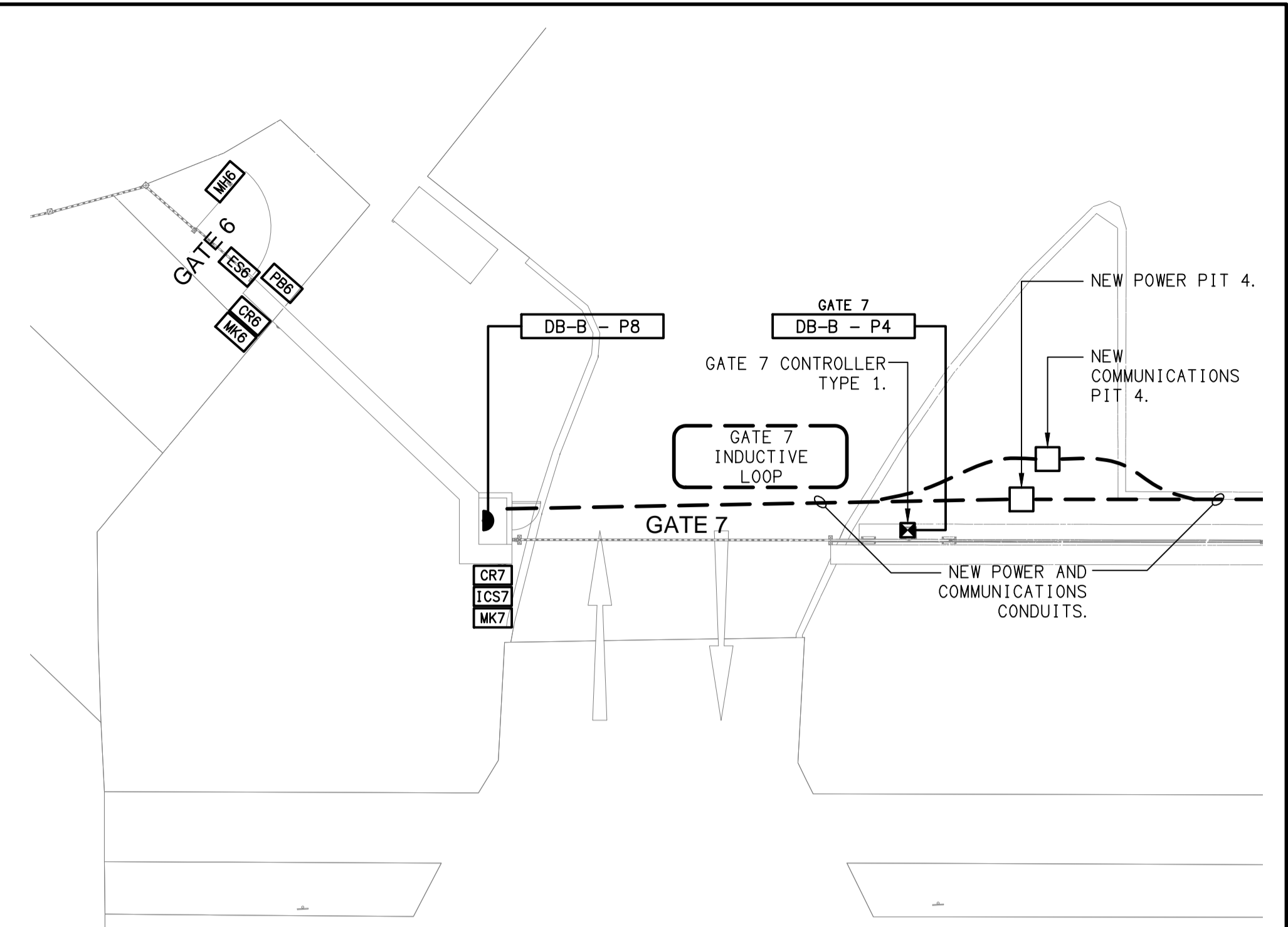
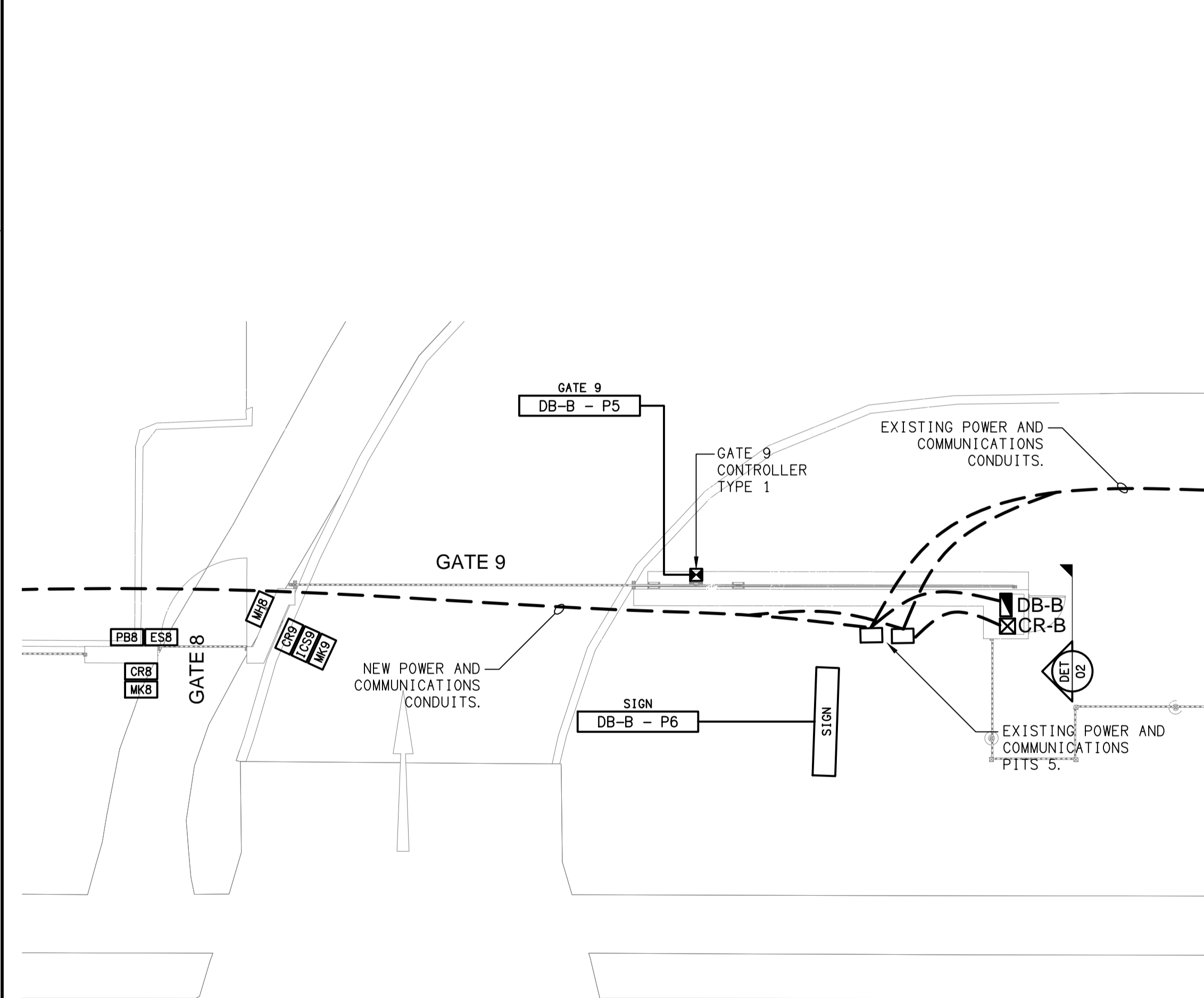


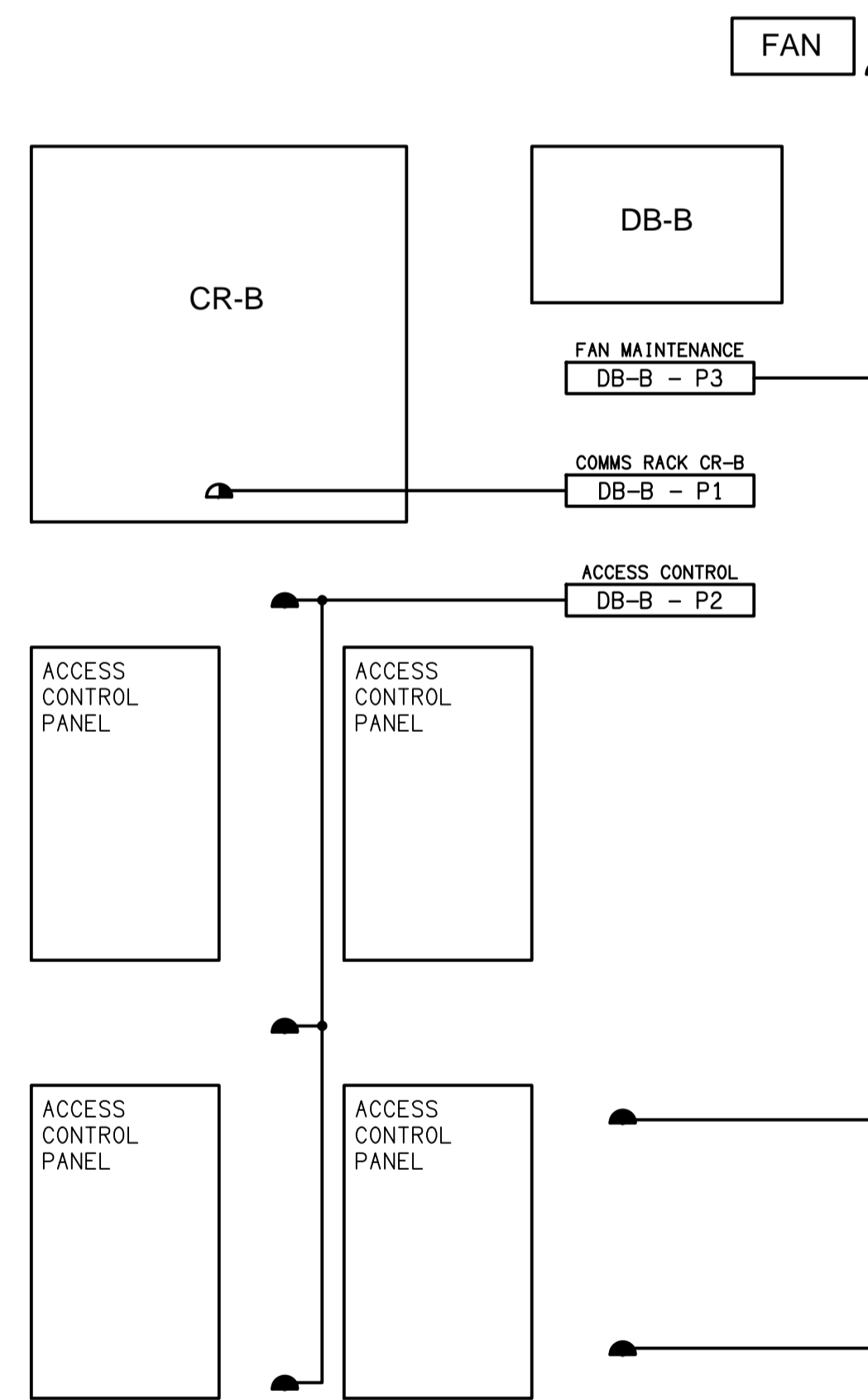
ZONE B
GATE / ACCESS CONTROL
SCALE 1:500



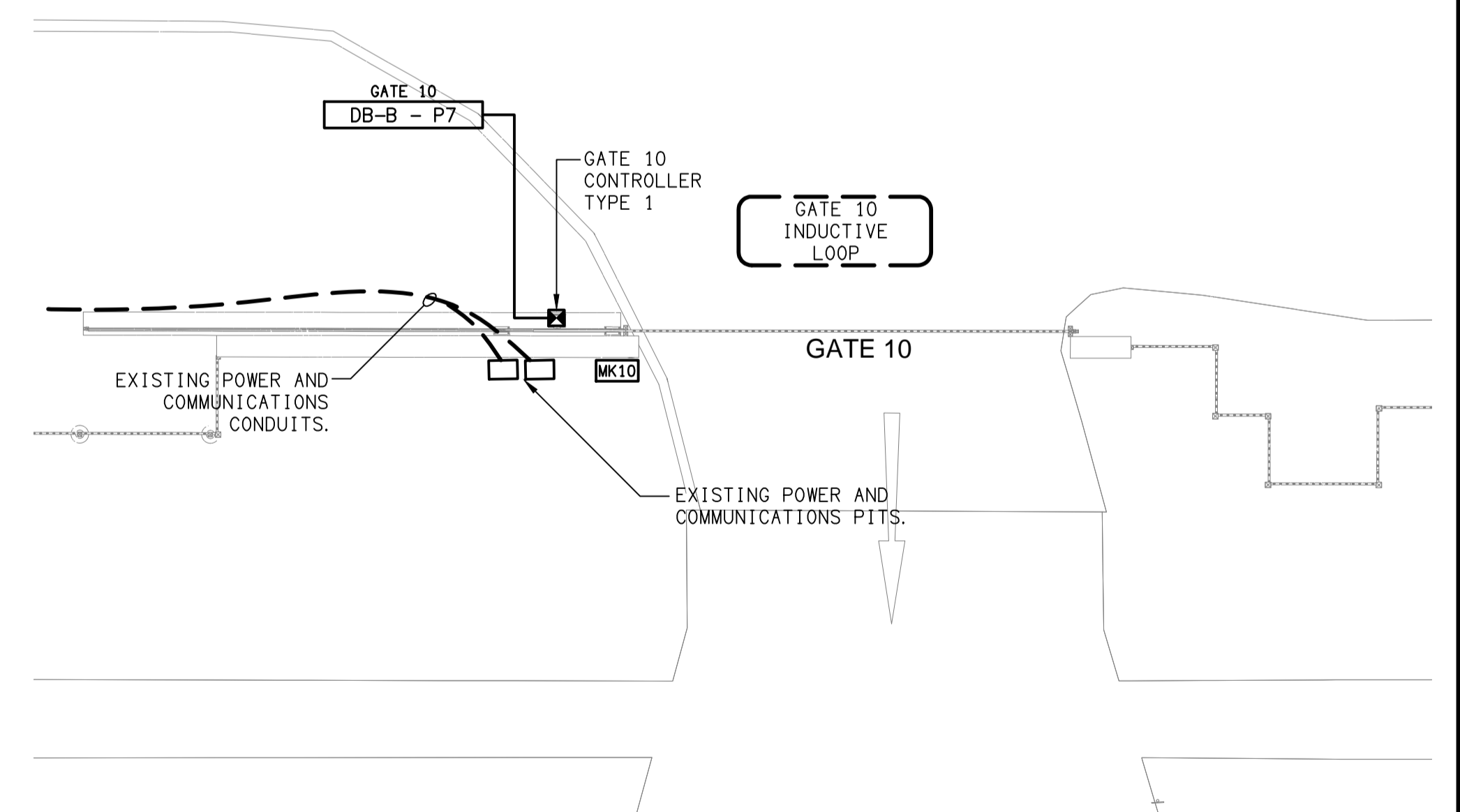
DETAIL C
GATE / ACCESS CONTROL
SCALE 1:100



DETAIL D
GATE / ACCESS CONTROL
SCALE 1:100



DETAIL 02
CR-B / DB-B ELEVATION
NOT TO SCALE



DETAIL E
GATE / ACCESS CONTROL
SCALE 1:100

ELECTRICAL DESIGN GROUP BRISBANE
PTY LTD
ACN 092 710 793
TRADING AS:
ELECTRICAL DESIGN GROUP

THE COPYRIGHT OF THIS DRAWING
REMAINS THE PROPERTY OF THE
ELECTRICAL DESIGN GROUP.
USE FIGURED DIMENSIONS
IN PREFERENCE TO SCALE.
ALL DIMENSIONS TO BE
VERIFIED ONSITE.

construction
hospitality
property
rohrig
rohrig.com.au

Rohrig (Qld) Pty Ltd
ABN 67 093 753 970
QBSA LIC NO 740842
250 Abbotsford Road, Bowen Hills Qld 4006
PO Box 86 Albion DC Qld 4010
T+61 (7) 3257 4411 F+61 (7) 3257 2211
www.rohrig.com.au

ELECTRICAL DESIGN GROUP
ELECTRICAL BUILDING SERVICES CONSULTANTS
BRISBANE GOLD COAST
P.O. Box 15, Sherwood Q.4075
Phone: (07) 3278 4375
Email: brisbane@edg.net.au
Web: www.edg.net.au

PROJECT:
**ORMISTON COLLEGE
FENCING MASTERPLAN**
97 DUNDAS STREET WEST, ORMISTON

C	PRELIMINARY	03/11/2022
REV.	DESCRIPTION:	DATE:

DRAWING:
**ELECTRICAL SERVICES
ZONE B PLANS**

SCALE:
1:500 & 1:100 AT A1

PROJECT NO: C2642a	DRAWING NO: E04	REVISION: C
------------------------------	---------------------------	-----------------------