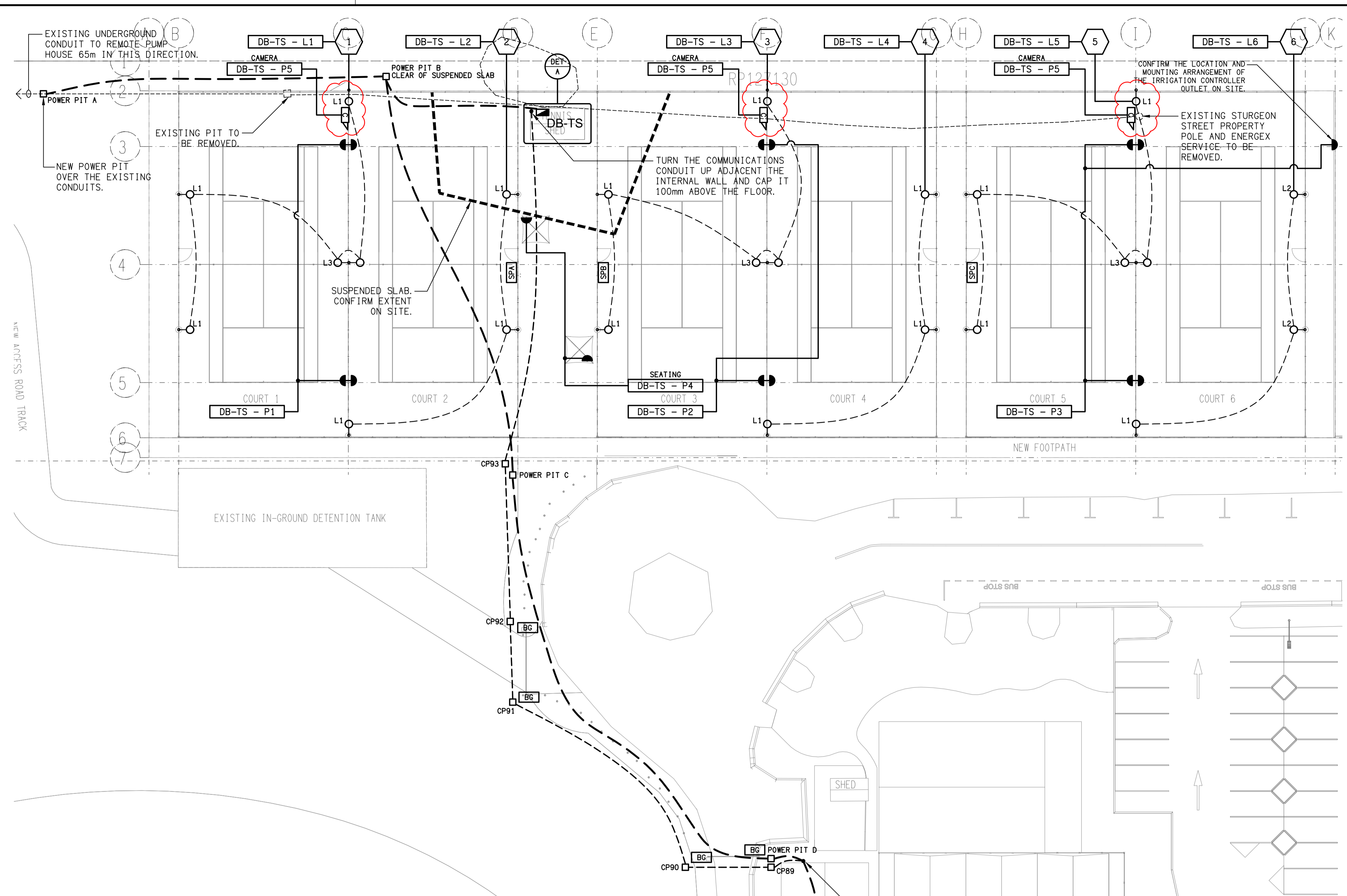
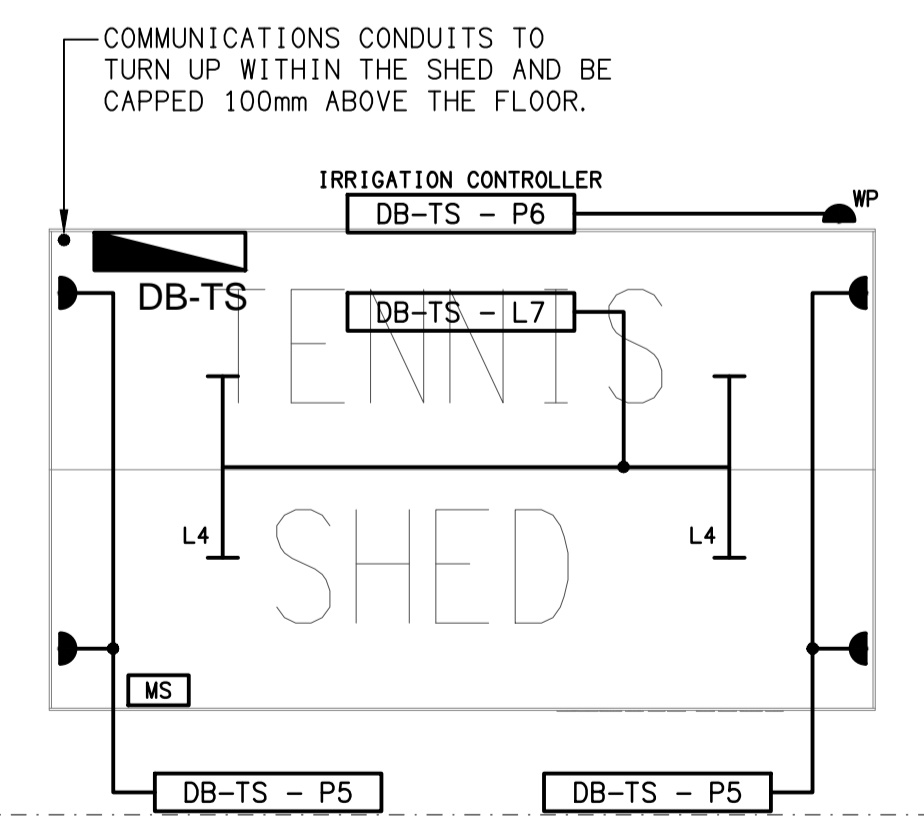


SITE PLAN
ROSELAND TENNIS CENTRE LOCATION
SCALE 1: 1000



FLOOR PLAN
ROSELAND TENNIS CENTRE
SCALE 1: 250



DETAIL A
TENNIS SHED FLOOR / CEILING PLAN
SCALE 1: 50

ELECTRICAL DESIGN GROUP BRISBANE
PTY LTD
ACN 092 710 793
TRADING AS:
ELECTRICAL DESIGN GROUP

THE COPYRIGHT OF THIS DRAWING
REMAINS THE PROPERTY OF THE
ELECTRICAL DESIGN GROUP.
USE FIGURED DIMENSIONS
IN PREFERENCE TO SCALE.
ALL DIMENSIONS TO BE
VERIFIED ONSITE.

construction
hospitality
property
rohrig
rohrig.com.au

Rohrig (Qld) Pty Ltd
ABN 67 093 753 970
QBSA LIC NO 740842
250 Abbotsford Road, Bowen Hills Qld 4006
PO Box 86 Albion DC Qld 4010
T+61 (7) 3257 4411 F+61 (7) 3257 2211
www.rohrig.com.au

ELECTRICAL DESIGN GROUP
ELECTRICAL BUILDING SERVICES CONSULTANTS
BRISBANE GOLD COAST
P.O. Box 15, Sherwood Q.4075
Phone: (07) 3278 4375
Email: brisbane@edg.net.au
Web: www.edg.net.au

PROJECT:
**ORMISTON COLLEGE
ROSELAND TENNIS CENTRE**
97 DUNDAS STREET WEST, ORMISTON

H	CONSTRUCTION	24/06/2024
REV:	DESCRIPTION:	DATE:
DRAWING: ELECTRICAL SERVICES SITE PLANS		
SCALE: AS NOTED	AT A1	PROJECT NO: C2677a
		DRAWING NO: E02
		REVISION: H