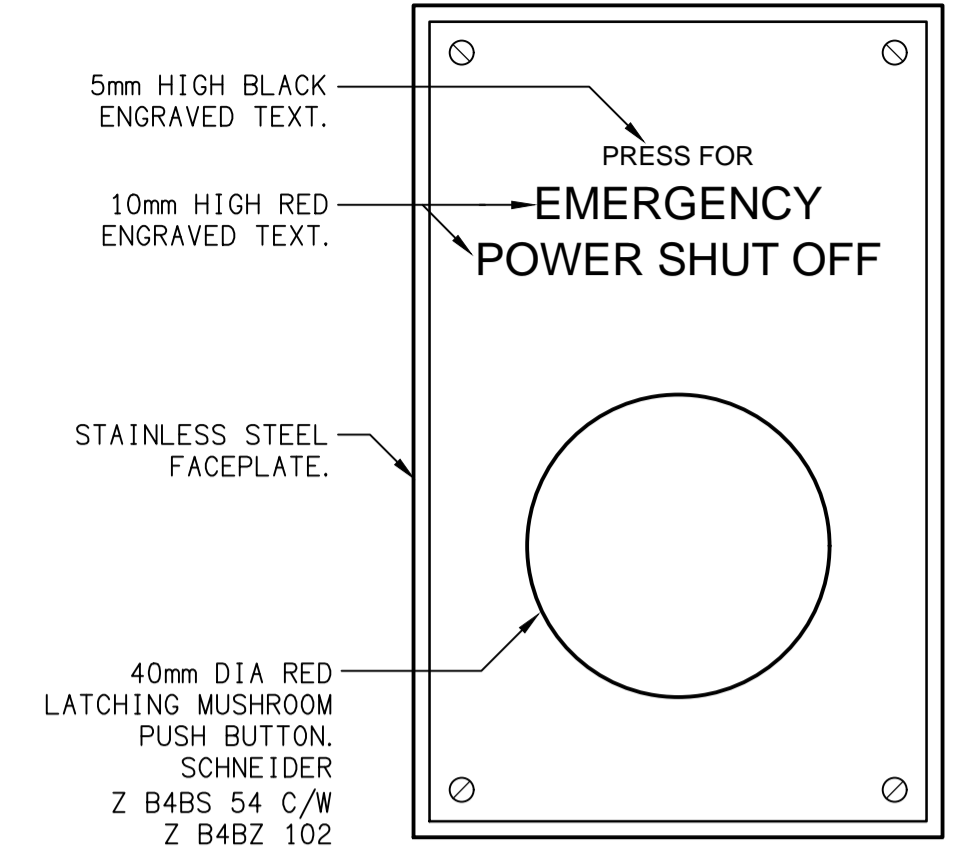


LEGEND

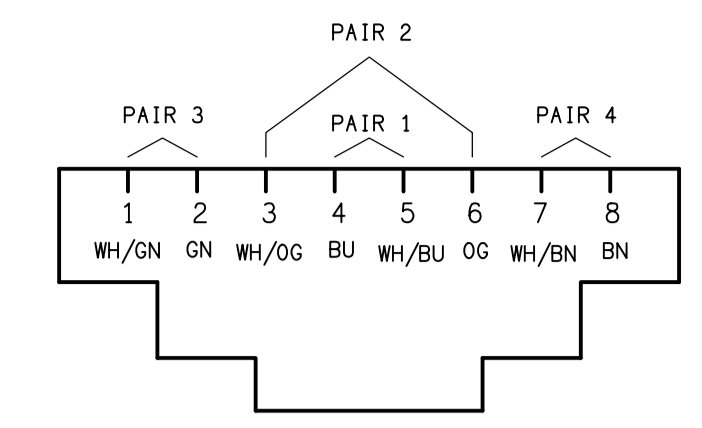
- ELECTRICAL SERVICES SWITCHBOARD.
- SWITCHBOARD / CONTROL PANEL NOT PROVIDED AS PART OF THE ELECTRICAL SUBCONTRACT.
- SINGLE POWER OUTLET.
- DOUBLE POWER OUTLET.
- DOUBLE POWER OUTLET C/W USB CHARGER.
- SINGLE PHASE ISOLATOR.
- THREE PHASE ISOLATOR.
- ELECTRICAL OUTLET MOUNTING BOLLARD.
- EMERGENCY SHUT OFF, TYPE AS NOTED.
- EXISTING CONDUIT ROUTE.
- PROPOSED CONDUIT ROUTE, TYPE AS NOTED.
- ELECTRICAL PIT, TYPE AS NOTED.
- FAN CONTROLS.
- LIGHTING PRESENCE DETECTOR SWITCH.
- LIGHTING CONTROL SWITCH PANEL, TYPE AS NOTED.
- ONE-WAY LIGHT SWITCH.
- TWO-WAY LIGHT SWITCH.
- CIRCUIT LINE.
- SWITCH LINE.
- POWER CIRCUIT DESIGNATION. DENOTES DB AND CIRCUIT.
- LIGHTING CONTROL CHANNEL REFERENCE.
- ELECTRICAL EQUIPMENT AS NOTED.
- CAT-6 LINK CABLE OUTLET.
- RJ45 CAT-6A COMMUNICATIONS OUTLET.
- RJ45 CAT-6A COMMUNICATIONS OUTLET C/W RECESS KIT.
- SECURITY PIEZO SIREN.
- SECURITY DIRECTIONAL MOTION DETECTOR.
- SECURITY DATA GATHERING PANEL.
- SECURITY SYSTEM KEYPAD.
- SCHOOL BELL SPEAKER.
- SCHOOL BELL HORN SPEAKER.
- REFER TO DETAIL NOTED FOR THE AREA SHOWN HATCHED. ADDITIONAL OUTLETS & FITTINGS MAY BE SHOWN ON DETAIL.
- DUST EXTRACTION SYSTEM CONTROL PANEL.
- VENTILATION SYSTEM SENSOR.
- VENTILATION SYSTEM MOTOR.
- VENTILATION SYSTEM REMOTE CONTROL.
- WELDING VENTILATION SYSTEM CONTROL PANEL.
- E1: GENERAL LED EMERGENCY LIGHT.
- EX: EMERGENCY LED EXIT LIGHT.

LEGEND

- F1: 2400 DIA CEILING FAN.
- Lx: LIGHT FITTING C/W NON-MAINTAINED EMERGENCY BATTERY PACK. TYPE AS NOTED.
- L1: 1200 x 300 LAY-IN T-BAR FLAT PANEL.
- L2: SPRAY BOOTH LIGHT CONNECTION.
- L3: HIGH BAY FITTING.
- L4: NO LONGER REQUIRED.
- L5: 1200 LONG IP65 SURFACE BATTEN C/W EMERGENCY PACK.
- L6: 1200 LONG SURFACE BATTEN.
- L7: EXTERNAL IP65 ADJUSTABLE FLOOD LIGHT.
- L8: SQUARE IP54 SURFACE MOUNTED BUNKER LIGHT.
- L9: RECESSED DOWNLIGHT.
- L10: 600 x 600 LAY-IN T-BAR FLAT PANEL.
- S1: OVERHEAD CUPBOARD LED STRIP.
- S2: WALL MOUNTED 49 X 50 LED DIFFUSED EXTRUSION.
- S3: WALL MOUNTED 49 X 50 LED DIFFUSED EXTRUSION.
- S4: WALL MOUNTED HIGH LEVEL 49 X 50 LED DIFFUSED EXTRUSION.
- S5: ROD SUSPENDED HIGH LEVEL 49 X 50 LED DIFFUSED EXTRUSION.
- S6: ROD SUSPENDED HIGH LEVEL 49 X 50 LED DIFFUSED EXTRUSION.



DETAIL
EMERGENCY POWER SHUT OFF (ESO)
NOT TO SCALE

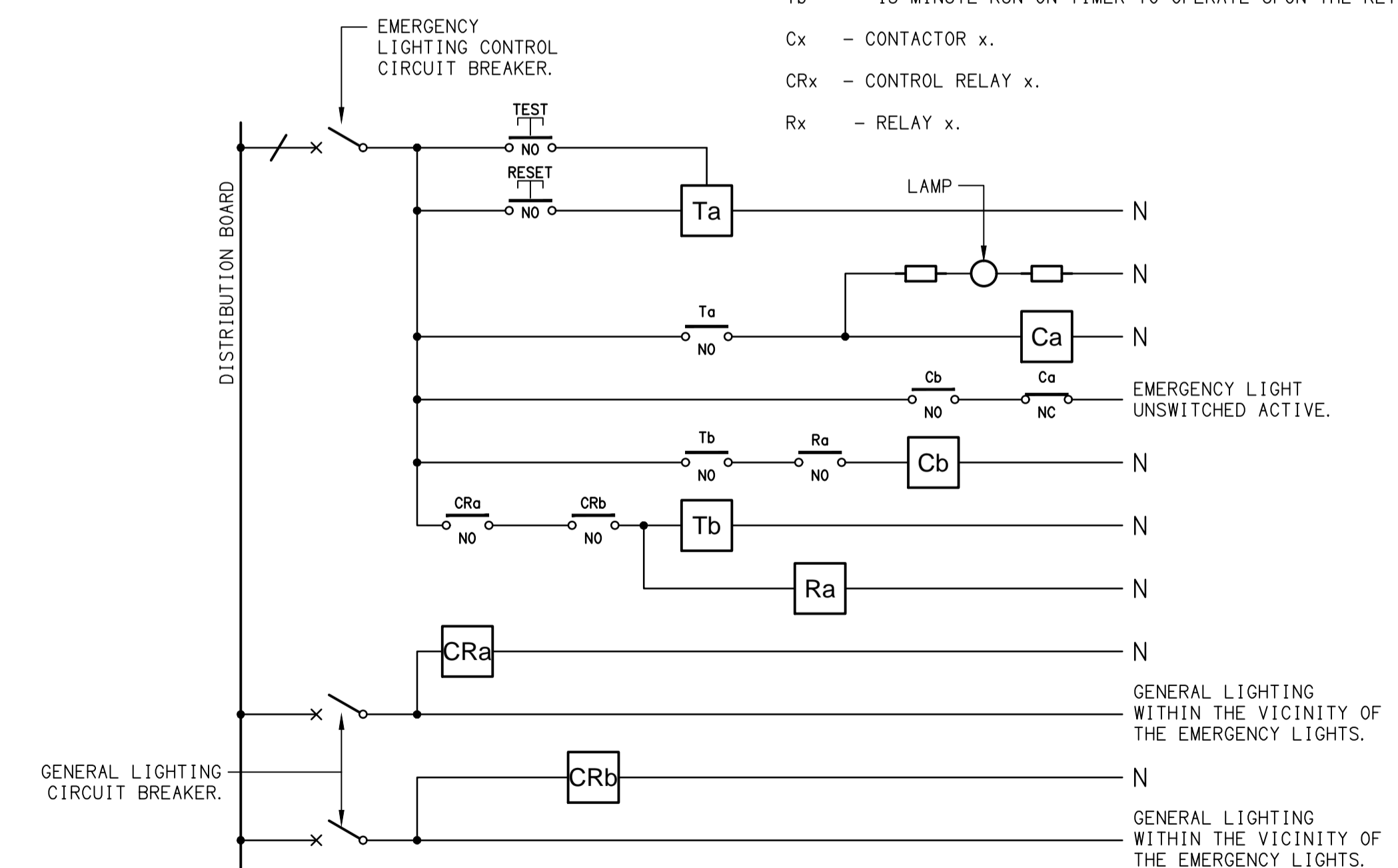


SCHEMATIC
RJ45 PINOUT CONFIGURATION
NOT TO SCALE

NOTE
ALL ELECTRICAL PENETRATIONS THROUGH THE ROOF SHEETING ARE TO BE IN LINE WITH THE STRUCTURAL OR MECHANICAL SERVICES PENETRATIONS TO AVOID DEDICATED FLASHINGS FOR THE ELECTRICAL SERVICES.

EQUIPMENT:

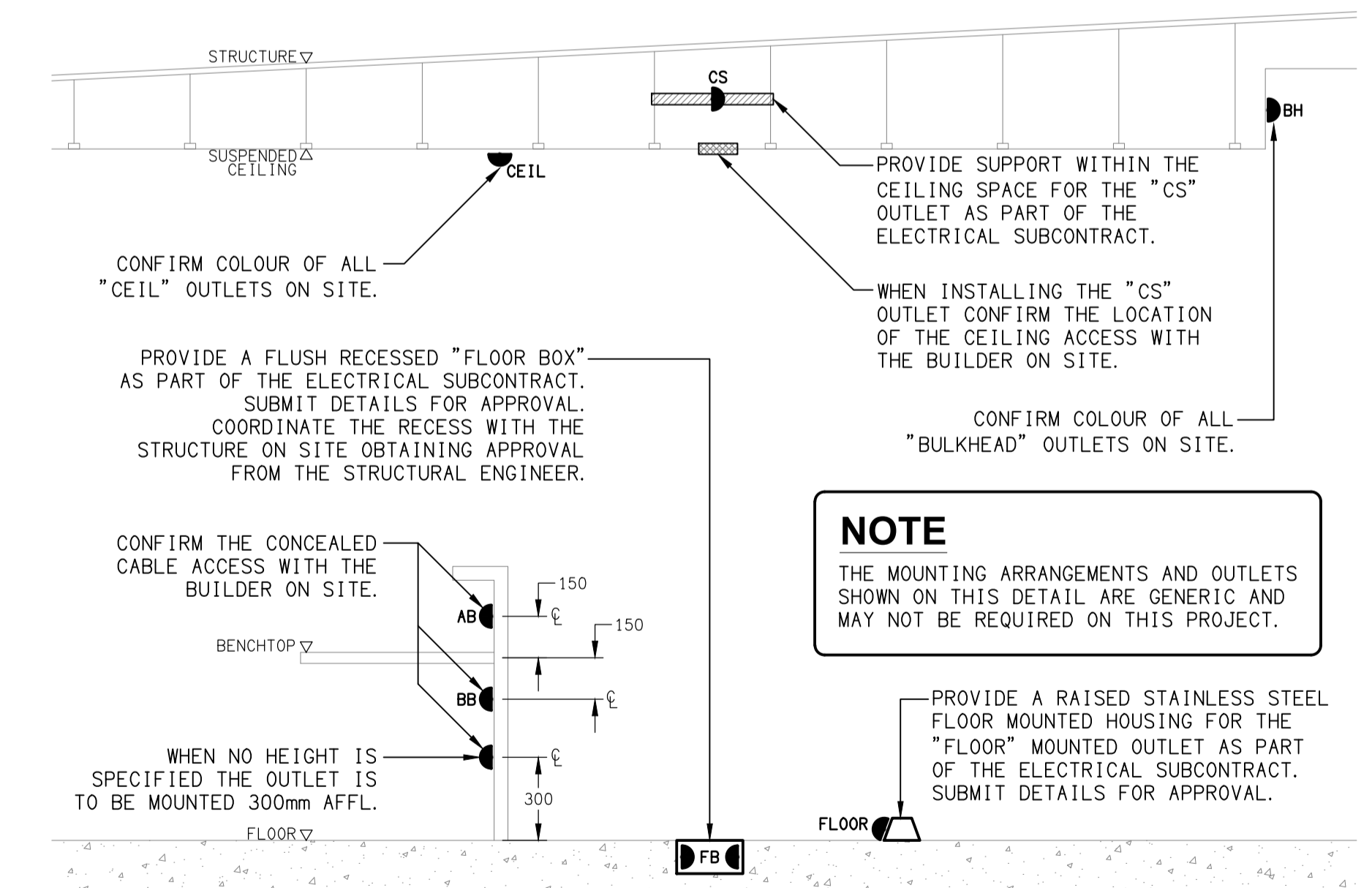
- TEST - TEST PUSH BUTTON MOUNTED ON THE DISTRIBUTION BOARD ESCUTCHEON.
- RESET - RESET PUSH BUTTON MOUNTED ON THE DISTRIBUTION BOARD ESCUTCHEON.
- LAMP - AMBER TEST INDICATING LAMP MOUNTED ON THE DISTRIBUTION BOARD ESCUTCHEON.
- Ta - ADJUSTABLE 0-3 HOUR TIMED RELAY.
- Tb - 15 MINUTE RUN-ON TIMER TO OPERATE UPON THE RETURN OF MAINS POWER.
- Cx - CONTACTOR x.
- CRx - CONTROL RELAY x.
- Rx - RELAY x.



SCHEMATIC
EMERGENCY LIGHTING
NOT TO SCALE

NOTES

1. THE EMERGENCY LIGHT UNSWITCHED ACTIVE / GENERAL LIGHTING SWITCHED ACTIVE CIRCUIT ARRANGEMENT AND CONTROL IS TYPICAL FOR ALL CIRCUITS SUPPLYING EMERGENCY LIGHTS.
2. PROVIDE ADDITIONAL CONTROL RELAYS (CRx) CONFIGURED AS PER CRa AND CRb FOR ALL ADDITIONAL LIGHTING CIRCUITS THAT SUPPLY LIGHTS IN THE VICINITY OF THE EMERGENCY LIGHTS.



DETAIL
TYPICAL OUTLET MOUNTINGS
NOT TO SCALE

NOTE
THE MOUNTING ARRANGEMENTS AND OUTLETS SHOWN ON THIS DETAIL ARE GENERIC AND MAY NOT BE REQUIRED ON THIS PROJECT.

REV	DATE	DESCRIPTION
D	19/09/2022	TENDER

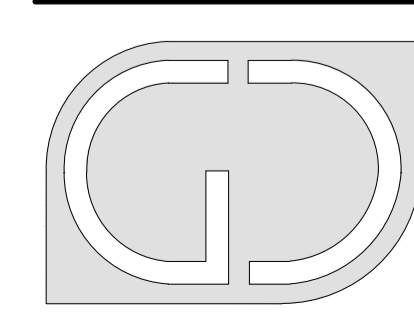
ELECTRICAL DESIGN GROUP
ELECTRICAL BUILDING SERVICES CONSULTANTS
BRISBANE
P.O. Box 15, Sherwood Q. 4075
Phone: (07) 3278 4375
Email: brisbane@edg.net.au
Web: www.edg.net.au
GOLD COAST

CLIENT
THE ROMAN CATHOLIC TRUST CORPORATION FOR THE DIOCESE OF TOWNSVILLE

PROJECT
RYAN CATHOLIC COLLEGE, TECHNOLOGY CENTRE

DRAWING TITLE
ELECTRICAL SERVICES LEGEND

59 CANTERBURY ROAD, KIRWAN, QLD



G+D GROUP (QLD)
Level 3 Toowong Terraces
31 Sherwood Road Toowong Q 4066
T (07) 3870 3722
F (07) 3870 3822
E admin@gdgroupqld.com.au

DATE _____
SCALE **N.T.S** **A1**
DRAWN _____
CHECKED _____
C2803a
EDG PROJECT No.
E01 D
EDG DWG No. REV