

LEGEND

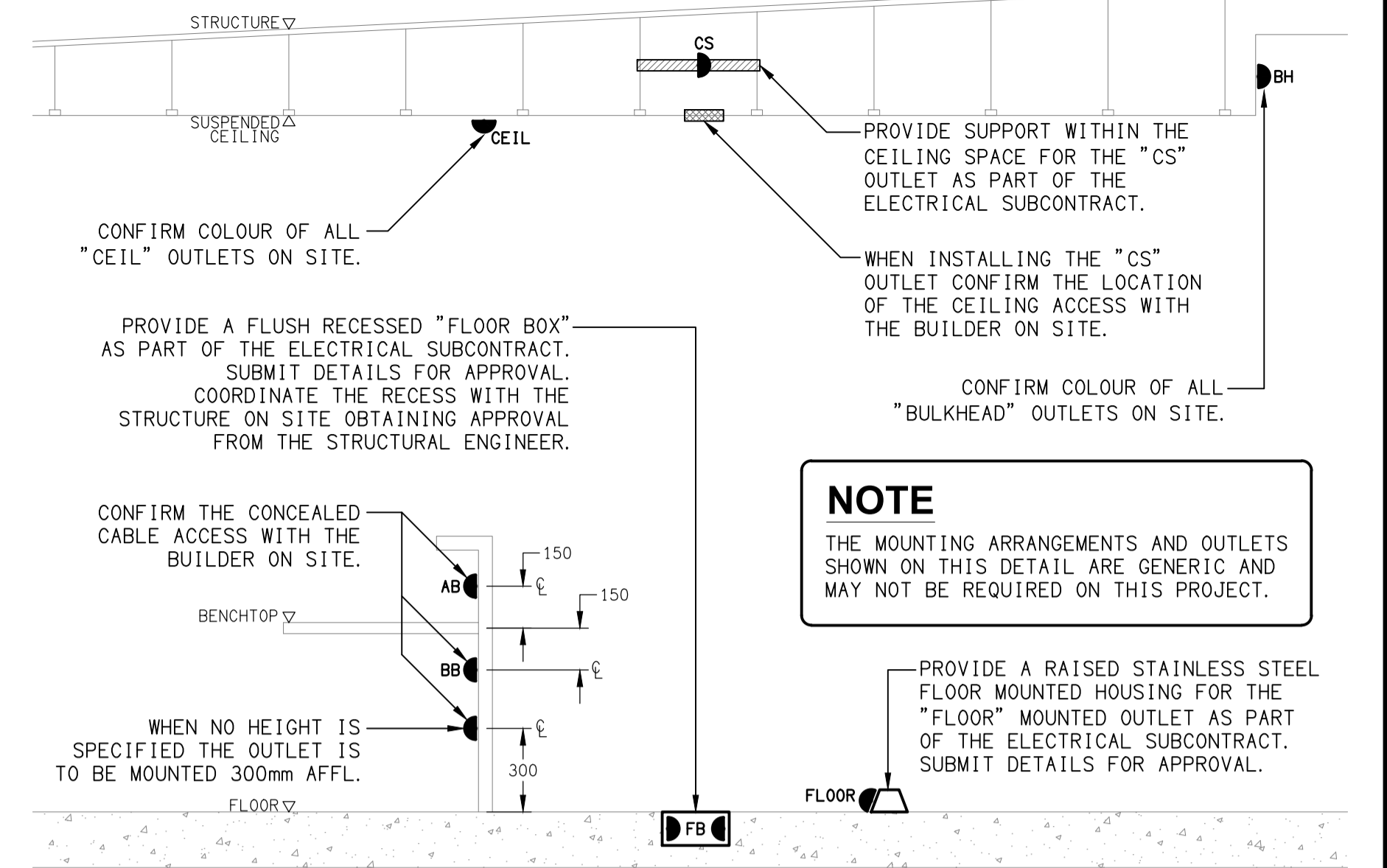
THE LIGHT FITTING SUPPLIER CONTACT DETAILS MAY BE AVAILABLE ON THE EDG WEBSITE VIA THE FOLLOWING LINK www.edg.net.au/Links/Lighting.htm

TYPE	LAMPS	DESCRIPTION	COLOUR / ACCESSORY	CATALOGUE No
L1	26 4000K LED	600 X 600 FLAT PLATE LED FITTING SUSPENDED VIA STAINLESS STEEL CABLES WITH THE DRIVER ON TOP OF THE FITTING. PROVIDE A FLEX FROM THE FITTING TO A SURFACE MOUNTED JUNCTION BOX ON THE SLAB ABOVE THE FITTING	WHITE TRIM	EQUAL TO GAMMA ILLUMINATION 884502-4K C/W SUSPENSION KIT
L2	8W 4000K LED	RECESSED 47 DEG BEAM DOWNLIGHT C/W REMOTE DRIVER	WHITE TRIM	EQUAL TO GAMMA ILLUMINATION MYLO 1004-WFL-4K-8W
L3	20LED 4000K	600 LONG SURFACE MOUNTED IP65 DIFFUSED BATTEN C/W INTEGRAL ELECTRONIC CONTROL GEAR AND PRESENCE DETECTION SENSOR	LIGHT GREY	EQUAL TO GAMMA STORM 1557-CCT-20W-MS
L4	36W LED 4000K	1200 LONG SURFACE MOUNTED IP65 DIFFUSED BATTEN C/W INTEGRAL ELECTRONIC CONTROL GEAR AND PRESENCE DETECTION SENSOR	LIGHT GREY	EQUAL TO GAMMA STORM 1558-CCT-36W-MS
L5		NO LONGER REQUIRED		
L6	26 4000K LED	600 x 600 IN FLAT PLATE LED FITTING C/W REMOTE DRIVER MOUNTED ON THE UNDERSIDE OF THE CABLE TRAY.	WHITE TRIM	EQUAL TO GAMMA ILLUMINATION 884502-4K
L7	20000 LUMEN LED 4000K	DECORATIVE PENDANT ALLOW TO INSTALL. ALLOW A PC SUM OF \$500 PLUS GST FOR THE SUPPLY OF THE PENDANT		
L8	13W 3000K LED	ADJUSTABLE RECESSED 65 DEG BEAM DOWNLIGHT C/W REMOTE DRIVER	WHITE TRIM	EQUAL TO GAMMA ILLUMINATION SCOPE 1495-VWFL-4K-13W
L9	90W 4000K LED	IP65 FLOOD LIGHT WALL MOUNTED AT HIGH LEVEL C/W INTEGRAL DRIVER	SILVER	GAMMA ILLUMINATION ALTUS 1345-4K-90W
L10	7.5W 3000K LED	EXTERNAL WALL LIGHT C/W REMOTE DRIVER TO ILLUMINATE THE BUILDING NUMBER	BLACK	LUMASCAPE HAKEA LED HA1 - G411-LED
L11	1500 LUMEN / M 3000K LED	15 x 12 ALUMINIUM PROFILE MOUNTED HORIZONTALLY ON THE WALL AS PER THE ARCHITECTURAL DETAIL. SCREW FIXED C/W REMOTE DRIVER.	BLACK EXTRUSION, BLACK DIFFUSER.	NPA PR-LINI-1512 BK
L12		NO LONGER REQUIRED		
E1	LED	EMERGENCY LIGHT: RECESSED NON-MAINTAINED EMERGENCY LIGHT. AS2293 CLASSIFICATION C0-D40 - C90-D40.	WHITE	CLEVERTRONICS LLIFE
E2	LED	EMERGENCY LIGHT: SURFACE MOUNTED NON-MAINTAINED EMERGENCY LIGHT. AS2293 CLASSIFICATION C0-D40 - C90-D40. MOUNT THE E2 FITTING TO THE UNDERSIDE OF THE CABLE TRAY	WHITE	CLEVERTRONICS LLIFE-SM
E3	LED	EMERGENCY LIGHT: SURFACE MOUNTED NON-MAINTAINED EMERGENCY LIGHT. AS2293 CLASSIFICATION C0-D40 - C90-D40.	WHITE	CLEVERTRONICS LLIFE-SM
EX	LED	EXIT LIGHT: MAINTAINED 24M VIEWING DISTANCE EXIT LIGHT C/W DIFFUSERS & DIRECTIONAL ARROWS AS SHOWN. CEILING SURFACE MOUNT OR WALL MOUNT BETWEEN 2100mm & 2700mm AFFL IF THERE IS NO VERTICAL SURFACE TO MOUNT THE FITTING ON WITHIN THIS RANGE CONFIRM THE MOUNTING HEIGHT WITH THE ENGINEER. PROVIDE WHITE MOUNTING BRACKETS AS REQUIRED AS2293 CLASSIFICATION C0-E2.5 - C90-E2	WHITE	CLEVERTRONICS CCFLED
EMERGENCY PACK		LIGHT FITTINGS THAT ARE DESIGNATED AS BEING PROVIDED WITH AN EMERGENCY PACK ARE TO BE PROVIDED WITH AN INTEGRAL AS2293 EMERGENCY PACK. THE FITTINGS ARE TO BE NON MAINTAINED WITH ALL LAMPS SWITCHED AS PER THE LIGHTING CONTROL FOR THAT SPACE UNLESS NOTED OTHERWISE. REFER TO THE SPECIFICATION FOR FURTHER DETAILS OF THE CONFIGURATION AND SWITCHING OF EMERGENCY LIGHTS.		
SPA		TWO GANG LIGHT SWITCH PANEL TO CONTROL THE TWO LOWER GROUND TENANCY LIGHTING CIRCUITS MOUNTED AT 1000mm AFFL UNLESS NOTED OTHERWISE.	WHITE	CLIPSAL C2000 SERIES FACEPLATE
SPB		TWO GANG LIGHT SWITCH PANEL TO CONTROL THE TWO UPPER GROUND TENANCY LIGHTING CIRCUITS MOUNTED AT 1000mm AFFL UNLESS NOTED OTHERWISE.	WHITE	CLIPSAL C2000 SERIES FACEPLATE
SPC		TWO GANG LIGHT SWITCH PANEL TO CONTROL THE TWO LEVEL 1 TENANCY LIGHTING CIRCUITS MOUNTED AT 1000mm AFFL UNLESS NOTED OTHERWISE.	WHITE	CLIPSAL C2000 SERIES FACEPLATE
AH		ADJUSTABLE FLUSH RECESSED 360DEG PIR PRESENCE DETECTOR TO OPERATE THE ASSOCIATED LIGHTS AFTER HOURS. REFER TO THE NOTES.	WHITE	CLIPSAL
PD		ADJUSTABLE FLUSH RECESSED 360 DEGREE PIR PRESENCE DETECTOR TO OPERATE THE ASSOCIATED LIGHTS FOR A PRE-SET AMOUNT OF TIME. ADJUST THE TIME AND SENSITIVITY ON SITE AS DIRECTED BY THE ENGINEER. SUBMIT DETAILS OF THE MOVEMENT DETECTOR SWITCH FOR APPROVAL PRIOR TO ORDERING	WHITE	CLIPSAL
		SINGLE POWER OUTLET ON THE FACEPLATE BEHIND THE SURROUND MOUNT AT 300mm AFFL U.N.O. RATING 10A U.N.O.	WHITE	CLIPSAL C2000 SERIES FACEPLATE
		DOUBLE POWER OUTLET ON THE FACEPLATE BEHIND THE SURROUND MOUNT AT 300mm AFFL U.N.O. RATING 10A U.N.O.	WHITE	CLIPSAL C2000 SERIES FACEPLATE

LEGEND

THE LIGHT FITTING SUPPLIER CONTACT DETAILS MAY BE AVAILABLE ON THE EDG WEBSITE VIA THE FOLLOWING LINK www.edg.net.au/Links/Lighting.htm

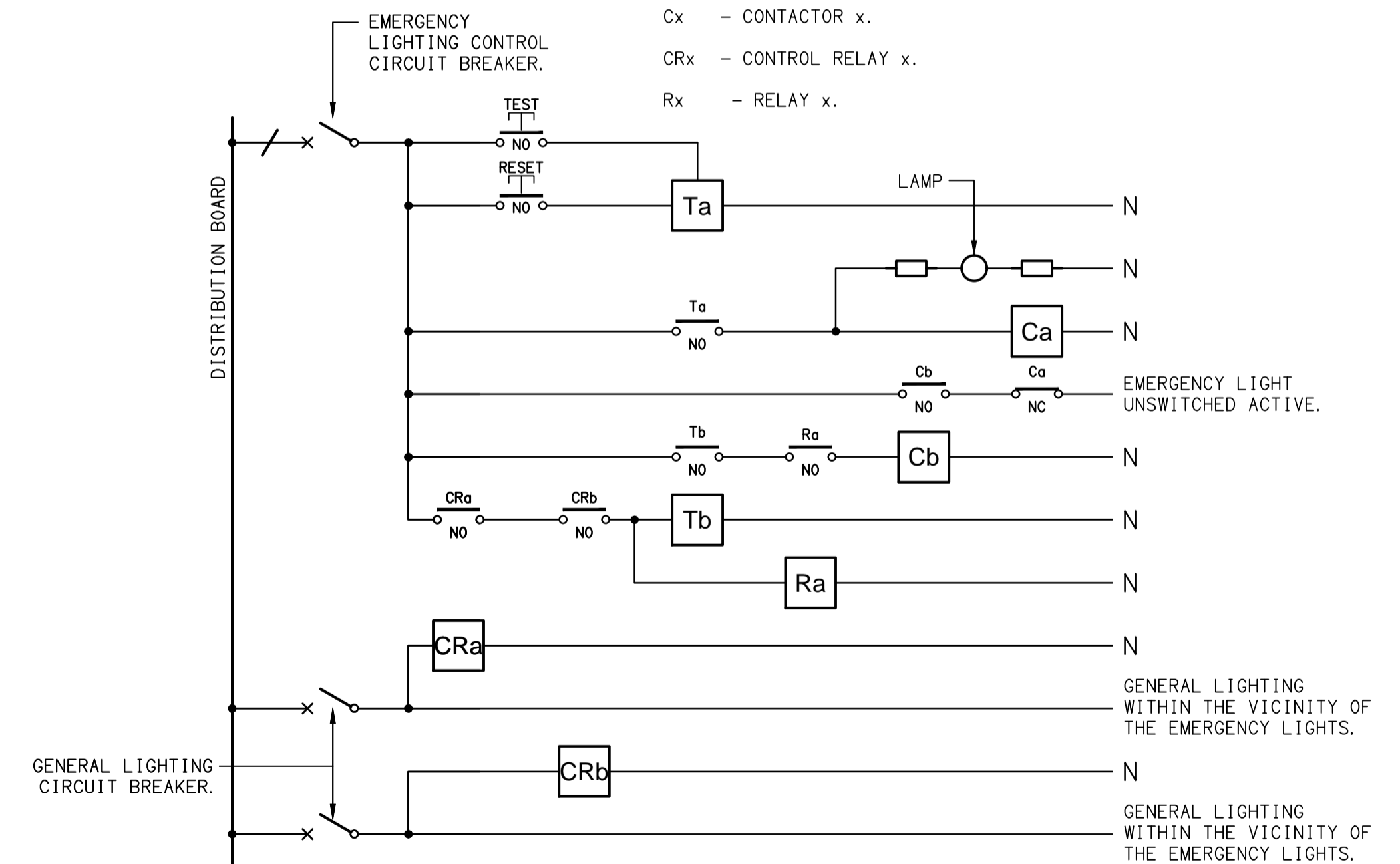
TYPE	LAMPS	DESCRIPTION	COLOUR / ACCESSORY	CATALOGUE No
WP		IP54 WEATHERPROOF SINGLE / DOUBLE POWER OUTLET AS NOTED ON DRAWING C/W COVER FLAP OVER SOCKET. MOUNT AT MINIMUM 1100mm AFFL U.N.O. RATING 10A U.N.O.	-	CLIPSAL WSCF227F
		SINGLE-PHASE ISOLATOR	-	CLIPSAL WHT20
		THREE-PHASE ISOLATOR	-	CLIPSAL WHT35
DB-A		WALL MOUNTED DISTRIBUTION BOARD DB-A COLOUR LIGHT GRAY METAL HOUSING DIN STYLE LOWER GROUND TENANCY PANEL BOARD REFER TO THE DB-A SCHEDULE FOR ADDITIONAL INFORMATION AND REQUIREMENTS.		
DB-B		UPPER GROUND TENANCY WALL MOUNTED DISTRIBUTION BOARD DB-B COLOUR LIGHT GRAY METAL HOUSING DIN STYLE PANEL BOARD REFER TO THE DB-B SCHEDULE FOR ADDITIONAL INFORMATION AND REQUIREMENTS.		
DB-C		LEVEL 1 TENANCY WALL MOUNTED DISTRIBUTION BOARD DB-C COLOUR LIGHT GRAY METAL HOUSING DIN STYLE PANEL BOARD REFER TO THE DB-C SCHEDULE FOR ADDITIONAL INFORMATION AND REQUIREMENTS.		
DB-M		COMMON DISTRIBUTION BOARD DB-M INTEGRAL TO THE MSB REFER TO THE DB-M SCHEDULE FOR ADDITIONAL INFORMATION AND REQUIREMENTS.		
MSB		NEW FREE STANDING EXTERNAL LIGHT GREY SITE MAIN SWITCHBOARD TO BE PROVIDED WITH A REINFORCED CONCRETE PLINTH EXTENDING 1200 IN FRONT OF THE MSB THE MSB IS TO CONTAIN THE RETAIL METERING AND DB-M REFER TO THE POWER SCHEMATIC FOR ADDITIONAL DETAILS. PROVIDE A SHOP DRAWING.		
PCD		ARRANGE WITH THE NBN TO PROVIDE A NEW LEAD IN SERVICE TO A NEW NBN COMPLIANT PREMISES CONNECTION DEVICE		
NTD		PROVIDE NBN COMPLIANT CABLE ACCESS FROM THE PCD TO A NBN COMPLIANT NETWORK TERMINATION DEVICE WITHIN EACH TENANCY		
EWICIE		EARLY WARNING CIE (EWICIE)		AS1670 COMPLAINT EARLY WARNING CIE.
FDICIE		FIRE DETECTION CIE (FDICIE)		AS1670 COMPLAINT FIRE DETECTION CIE C/W INTEGRAL MANUAL CALL POINT.
		RECESSED FIRE EVACUATION SPEAKER		RECESSED 5W TWO-TONE 8-INCH CONE ALERT AND EVACUATION SPEAKER TO AS1670.1 C/W 100V MULTI-TAP TRANSFORMER AND FLUSH GRILLE PAINTED OUT TO MATCH THE CEILING.
		SURFACE FIRE EVACUATION SPEAKER		SURFACE MOUNTED 5W TWO-TONE 8-INCH CONE ALERT AND EVACUATION SPEAKER TO AS1670.1 C/W 100V MULTI-TAP TRANSFORMER AND FLUSH GRILLE PAINTED OUT TO MATCH THE CEILING.
		FIRE EVACUATION HORN		SURFACE MOUNTED WEATHERPROOF TWO-TONE 30W ALERT AND EVACUATION HORN SPEAKER TO AS1670.1 C/W 100V MULTI-TAP TRANSFORMER. MOUNT AT HIGH LEVEL.
		SMOKE DETECTOR		SURFACE MOUNTED SMOKE DETECTOR TO AS1670. WHITE
		VISUAL ALARM		FIRE ALARM STROBE LIGHT AS PER AS1670.1
				NO LONGER REQUIRED



DETAIL
TYPICAL OUTLET MOUNTINGS
NOT TO SCALE

EQUIPMENT:

- TEST - TEST PUSH BUTTON MOUNTED ON THE DISTRIBUTION BOARD ESCUTCHEON.
- RESET - RESET PUSH BUTTON MOUNTED ON THE DISTRIBUTION BOARD ESCUTCHEON.
- LAMP - AMBER TEST INDICATING LAMP MOUNTED ON THE DISTRIBUTION BOARD ESCUTCHEON.
- Ta - ADJUSTABLE 0-3 HOUR TIMED RELAY.
- Tb - 15 MINUTE RUN-ON TIMER TO OPERATE UPON THE RETURN OF MAINS POWER.
- Cx - CONTACTOR x.
- CRx - CONTROL RELAY x.
- Rx - RELAY x.



NOTES

1. THE EMERGENCY LIGHT UNSWITCHED ACTIVE / GENERAL LIGHTING SWITCHED ACTIVE CIRCUIT ARRANGEMENT AND CONTROL IS TYPICAL FOR ALL CIRCUITS SUPPLYING EMERGENCY LIGHTS.
2. PROVIDE ADDITIONAL CONTROL RELAYS (CRx) CONFIGURED AS PER CRa AND CRb FOR ALL ADDITIONAL LIGHTING CIRCUITS THAT SUPPLY LIGHTS IN THE VICINITY OF THE EMERGENCY LIGHTS.

SCHEMATIC
EMERGENCY LIGHTING
NOT TO SCALE