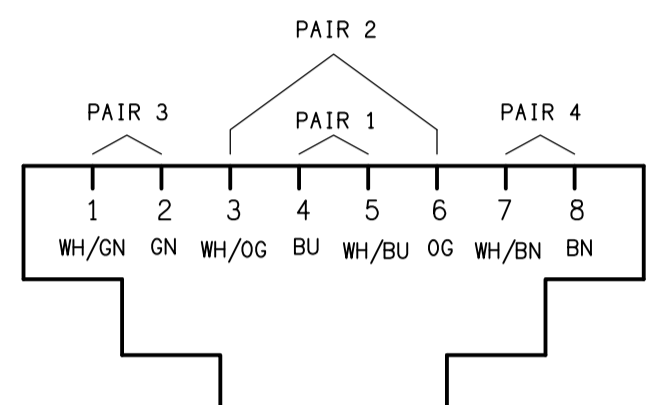


THE COPYRIGHT OF THIS DRAWING REMAINS THE PROPERTY OF THE ELECTRICAL DESIGN GROUP.

USE FIGURED DIMENSIONS IN PREFERENCE TO SCALE.

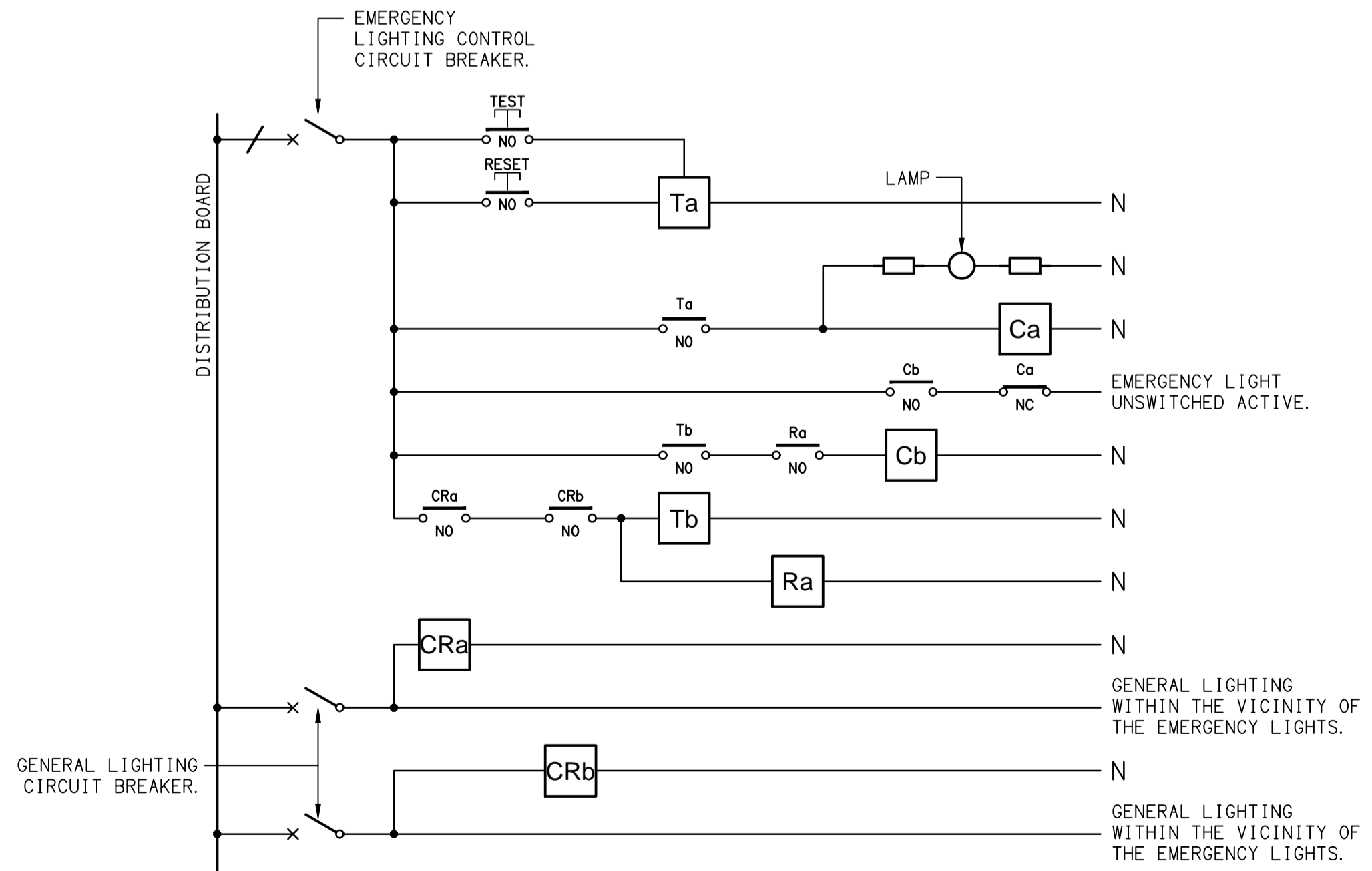
ALL DIMENSIONS TO BE VERIFIED ONSITE.



SCHEMATIC
RJ45 PINOUT CONFIGURATION
NOT TO SCALE

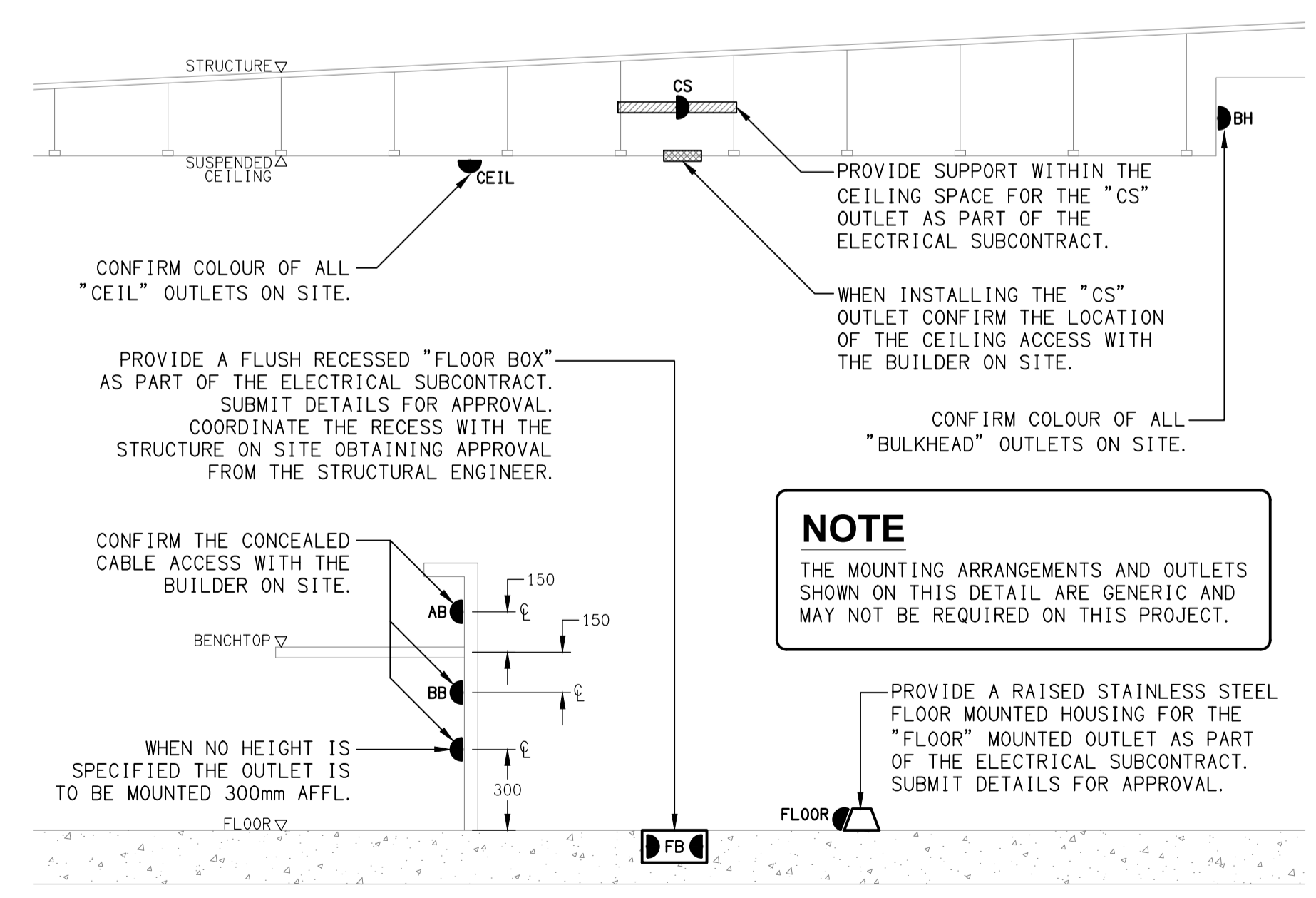
EQUIPMENT:

- TEST - TEST PUSH BUTTON MOUNTED ON THE DISTRIBUTION BOARD ESCUTCHEON.
- RESET - RESET PUSH BUTTON MOUNTED ON THE DISTRIBUTION BOARD ESCUTCHEON.
- LAMP - AMBER TEST INDICATING LAMP MOUNTED ON THE DISTRIBUTION BOARD ESCUTCHEON.
- Ta - ADJUSTABLE 0-3 HOUR TIMED RELAY.
- Tb - 15 MINUTE RUN-ON TIMER TO OPERATE UPON THE RETURN OF MAINS POWER.
- Cx - CONTACTOR x.
- CRx - CONTROL RELAY x.
- Rx - RELAY x.

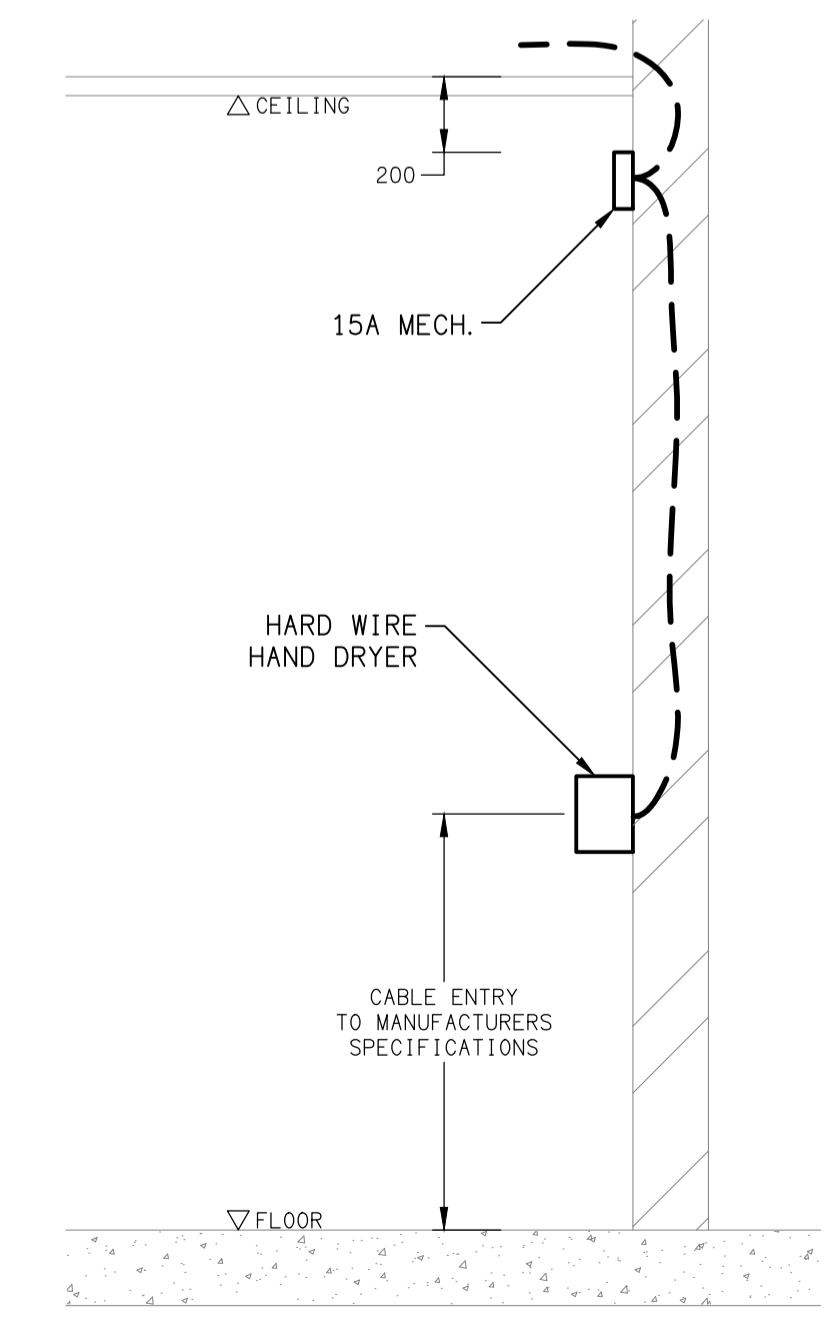


- NOTES**
- THE EMERGENCY LIGHT UNSWITCHED ACTIVE / GENERAL LIGHTING SWITCHED ACTIVE CIRCUIT ARRANGEMENT AND CONTROL IS TYPICAL FOR ALL CIRCUITS SUPPLYING EMERGENCY LIGHTS.
 - PROVIDE ADDITIONAL CONTROL RELAYS (CRx) CONFIGURED AS PER CRa AND CRb FOR ALL ADDITIONAL LIGHTING CIRCUITS THAT SUPPLY LIGHTS IN THE VICINITY OF THE EMERGENCY LIGHTS.

SCHEMATIC
EMERGENCY LIGHTING
NOT TO SCALE



DETAIL
TYPICAL OUTLET MOUNTINGS
NOT TO SCALE



DETAIL
HAND DRYER CONNECTION
NOT TO SCALE

| | | |
|------|-----------------|------------|
| B | 75% DEVELOPMENT | 02/10/2024 |
| REV: | DESCRIPTION: | DATE: |

ELECTRICAL DESIGN GROUP
ELECTRICAL BUILDING SERVICES CONSULTANTS

BRISBANE: P.O. Box 15 Sherwood Qld 4075
Phone: (07) 3278 4375
Email: brisbane@edg.net.au
Web: www.edg.net.au

ELECTRICAL DESIGN GROUP BRISBANE / TRADING AS:
PTY LTD ACN 092 710 793 / ELECTRICAL DESIGN GROUP

PROJECT:
CABOOLTURE SPORTS CLUB REFURBISHMENT

SITE ADDRESS:
19-27 STATION ROAD, MORAYFIELD

SCALE: NO TO SCALE SHEET SIZE: AT A1

DRAWING TITLE:

ELECTRICAL SERVICES DETAILS

| | | |
|-------------|-------------|-----------|
| PROJECT NO: | DRAWING NO: | REVISION: |
|-------------|-------------|-----------|

C3264a E02 B